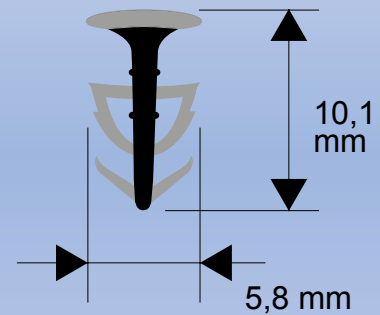
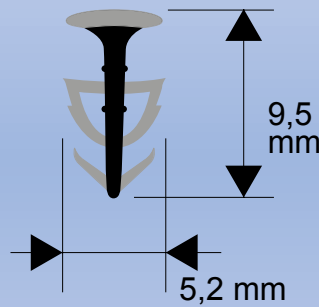
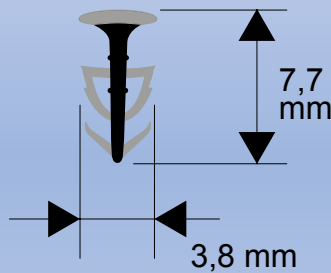




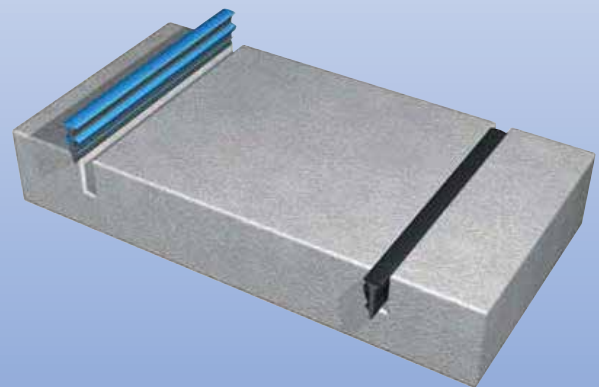
AB Lindec® JOINT STRIP (Normal joint)

Art. no: 11866 - 11868
Page 1 (1)
[page 47]



Lindec joint strip for concrete floor joints, 250 m per roll.

Article	Joint width	Diamond disk cut
11867	3,8 mm	2,8 mm
11866	5,2 mm	3,2 mm
11868	5,8 mm	3,6 / 3,8 mm



AB Lindec® joint strip provides the following solution:

- The joint strip provides a quick and good protection to the joint.
- The joint strip have an air pockets on both sides to ensure that the strip does not drop down into the joint.
- The joint strip can later on, serve as a bottom strip when filling the joint after 3-6 months.
- The joint strip is easy and quick to apply.

