



# LC424E ab lindec

Art. no: LC424E  
Page 1 (2)  
[page 55]

**ELECTRIC EDGING TROWEL**

**NEW!**



**CE**

## Electric edging trowel (220 V)

AB Lindec® LC424E electric edging walk behind trowel is produced for the real professionals with long lasting performance for high tolerance floors. Equipped with a single phase electric motor 1,5 kW (220 V). Other equipment is heavy duty gearbox, curved guard ring, foldable handle for easier transport and lower freight costs.

Lift hook, handle pad and document box is included as standard.

The machine is CE certified and follows all safety requirements of machine directives according to 2006/42/EG.



# LC424E<sup>ab lindec</sup>



Basic data	LC424E
Electric motor	1,5 kW / 2 Hp
Dimensions, folded (L x W x H)	102 x 64 x 70 cm
Panning Path Width Ø	61 cm
Trowel blades	4-bladed spider
Rpm	60 - 124 rpm
Weight	50 kg

### Designed and made in EU

This machine is built based on knowledge generated over decades of AB Lindec concrete experience. Our engineers turned this into a machine for concrete professionals.

### Strong rotating guard ring

The guard ring makes it possible to trowel close to walls and pillars. A soft strip on the ring protects the walls and machine against damages.

### Accessories

Trowel pan, 60 cm	art. no: 11628
Trowel pan, 61 cm	art. no: 11629
Composite pan	art. no: 11664
Trowel blades	art. no: 11508
Plastic trowel blades	art. no: 11573
Lifting strap, 0.7 m	art. no: LC900842

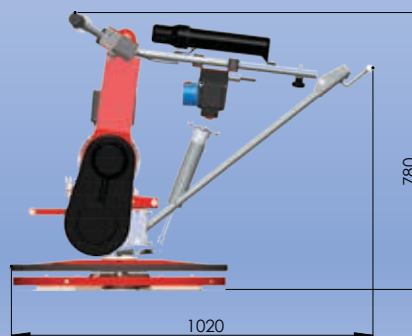
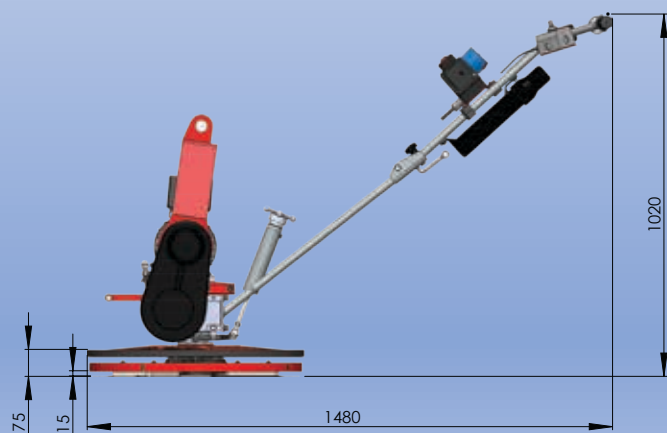


### Handy electric connector

To power the machine simply plug a single phase cable into the connector. The robust connector is equipped with a main power switch.

### Adjustable speed

Rotation speed is adjusted with a potentiometer located on the handle. The machine is also designed with a «soft start» function.



*ab lindec® endeavours to provide correct information about technical properties and handling of its products. However, while ab lindec® has no control over the way in which the products are mixed and laid, or the conditions under which they set, ab lindec® can in no way be held responsible. ab lindec® is only responsible for the quality of the products at the time of delivery.*