



LC436 ab lindec

Art. no: LC436
Page 1 (2)
[page 57]

**EDGING WALK BEHIND TROWEL
WITH FOLDABLE HANDLE**



Professional power trowel

Made for the real professionals, the AB Lindec® 436 walk behind trowel is designed for long lasting operations with best possible performance for high tolerance floors. Equipped with a 9 Hp Honda engine (GX270), spider arms containing seals to prevent concrete and concrete water from getting in to the spider cross, standard duty spider arms, heavy duty gearbox, guard ring, edge wheels and foldable handle for easier transport and lower freight costs. For easier maintenance as well as change of blades and pans – tilt the machine and support it on the handle. The Lindec® 436 walk behind trowel can be used as an edging walker or a non-edging walker, all depending on what type of trowel pan is used.

The machine is CE certified and follows all safety requirements of machine directives according to 2006/42/EG.

Transport wheels are also available as optional accessory (part no. LC436220).



ab lindec

Box 5,
Fax

421 21 V.Frölunda,
+46-31-298876

Sweden,
export@lindec.se

Tfn +46-31-298810
www.lindec.com

LC436^{ab lindec}



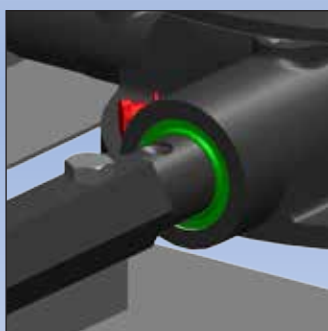
Easy to lift

The machine is equipped with two lifting points, which makes it easy to handle.



Stand or tilt up the machine

For easy maintenance and change of blades and pan.



Special designed spider arms

Specially designed spider arms contain seal to avoid concrete and concrete water to get into the spider cross, to avoid unnecessary maintenance.



Easy to move

In 30 seconds the wheels are easily unfolded for smooth transport.

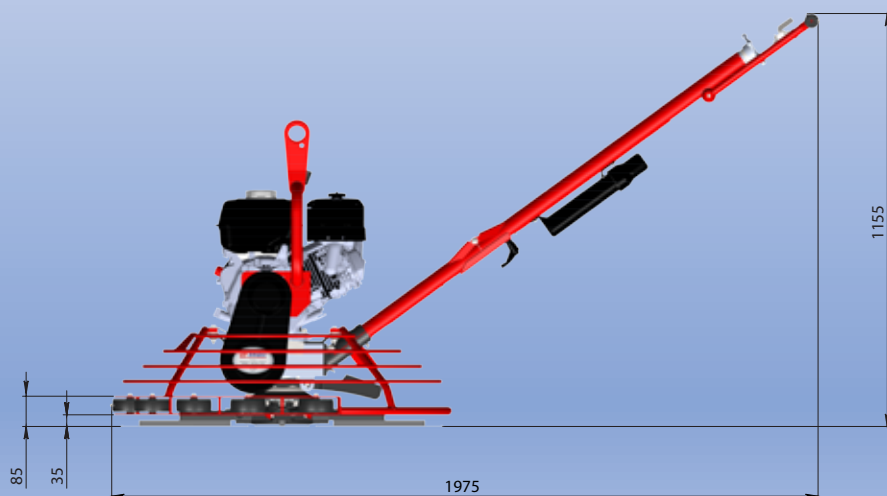
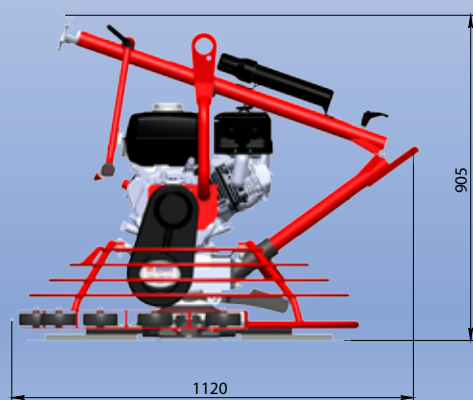
The transportation wheels are an accessory and also fit other walker brands.

Part no: LC436220

Basic data		LC436
Rotor Ø blade		92 cm/36"
Number of blades		4
Diameter of guard ring		95 cm/37"
Length, folded		112 cm/44"
Length, unfolded		198 cm/78"
Height to handle		116 cm/45"
Height to lifting hook		90 cm/35"
RPM	min.	40 rev/min
	max.	124 rev/min
Weight		107 kg / 236 lb
Type of trowel arms		Standard duty
Type of spider		Standard duty
Blade pitch control		Fine
Engine:		Honda GX270, 9 Hp

Accessories

Finish blades	art. no: 11512
Combination blades	art. no: 11562
Plastic blades	art. no: 11575
Trowel pan	art. no: 11619, 94 cm/36"
Composite pan	art. no: 11664
Edging trowel pan	art. no: 11617, 92 cm/36"
Plastic trowel blades	art. no: 11573
Transporting wheels	art. no: LC436220
Engine catalyst	art. no: 11083
Lifting strap, 0.7 m	art. no: LC900852



ab lindec® endeavours to provide correct information about technical properties and handling of its products. However, while ab lindec® has no control over the way in which the products are mixed and laid, or the conditions under which they set, ab lindec® can in no way be held responsible. ab lindec® is only responsible for the quality of the products at the time of delivery.