

LINOFOG[®] MIX

JOINT FILLER LINOFOG[®] MIX

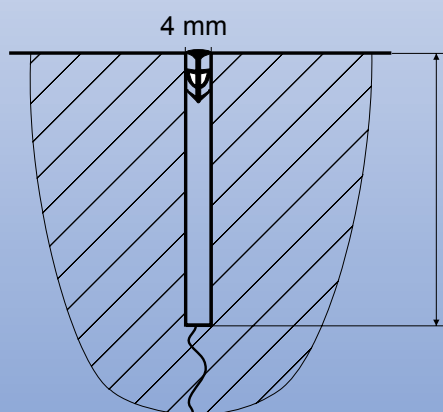
Linofog[®] Mix provides the industry with secure and durable joint filler. Its characteristics are an excellent pressure strength and elasticity.

Linofog[®] Mix is polyurethane-based and best applied with a mix cartridge pistol. Linofog[®] Mix works in cold temperature, all the way down to -50°C; however, it must not come in contact with water, moisture or low temperatures during application. Linofog[®] Mix has a very good chemical resistant, which are listed below.

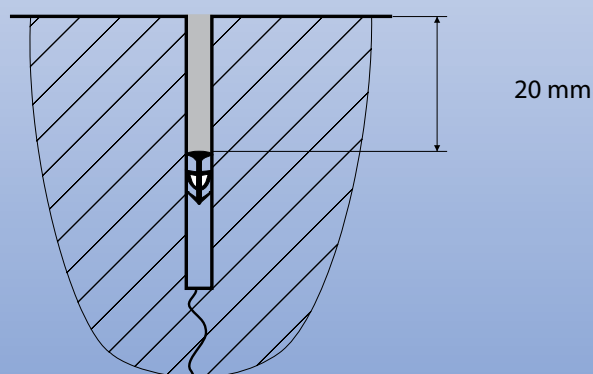
A high-quality and professional floor laying is not always sufficient to obtain the best possible result. In order to avoid cracks in concrete floors it has become common practice to saw notches in 6 x 6 m or 8 x 8 m squares, depending on pillars etc. After 3-6 months at the earliest, the joints are vacuum-cleaned, primed, filled and then smoothed with a grinding machine.

Linofog[®] Mix is also suitable for repairing cracks and small repairs.

Acid:	10 % sulphuric acid	Animal:	fat
	50 % phosphoric acid		protein
	50 % chromic acid		blood
Alkali:	1 % caustic soda	Vegetable:	fat
	1 % ammonia		protein
			sugar
Salt:	NaCl	Oil:	crude oil
	Na ₂ CO ₃		light oil
	10 % NaHCO ₃		lamp oil machine oil (mineral)



Cutting depth
1/4 - 1/3 of
slab thickness



See separate laying instruction.

ab lindec[®] endeavours to provide correct information about technical properties and handling of its products. However, while ab lindec[®] has no control over the way in which the products are mixed and laid, or the conditions under which they set, ab lindec[®] can in no way be held responsible. ab lindec[®] is only responsible for the quality of the products at the time of delivery.

ab lindec[®]

Box 5, 421 21 V.Frölunda, Sweden, Tfn +46-31-298810,
Fax +46-31-298876, export@lindec.se, www.lindec.com